

2018

New Edition Part 1

Let's Make Sweet Homes Together



Since 1988



HOME RESOURCE

30th anniversary



Our Vision

To illuminate every part of the world

Our Mission

- To be the leading lighting company in Taiwan and China
 - To be the best at what customers value most
 - To exceed customers expectation
 - Treat staffs & customers & substructures as partnership
 - Enjoy work as part of life
-

Our Core Competence

- | | | |
|-------------|--------------|------------------|
| ● Integrity | ● Innovation | ● Profession |
| ● Passion | ● Efficiency | ● Responsibility |
| ● Teamwork | | |
-

President's Message

Since its establishment in 1988, Home Resource Ind. Co., Ltd. has been dedicated to production and development of lighting products for three decades. We would like to take this opportunity to express our sincere appreciation for your fully supports and concerns over the past 30 years.



Sam Chen Ph.D

President of Home Resource

■ Chairman of TLFEA (2004-2007)
TLFEA: Taiwan Lighting Fixture Export Association

■ Director of CEECA and LABC
CEECA: The Central, Eastern Europe and CIS Association
LABC: Latin American Business Council

■ Vice Chairman of Taiwan Investors Association in Zhongshan

With years of efforts on upgrading production capability and capacity, Home Resource has grown into a consummate manufacturer of lightings on OEM (original equipment manufacturing) and ODM (original design manufacturing) basis. Globally reputed R&D talent has also helped Home Resource to enhance popularity and recognition of its own-brand products in recent years.

In addition to existing branches, Home Resource has opened a constructed plant of 26,000 square meters in China (Zhong Shan City, Guangdong Province), which employs advanced production equipment to assure even shorter delivery and more considerate services for clients than before.

We strive for success not only in having determination and courage, but also developing innovative products and marketing intelligence base on our core competence: innovation, efficiency, integrity and passion. Home Resource will definitely get hold of past success to carry on growing continuously in the lighting territory now and then. Let's witness the brand new, prosperous Home Resource to achieve an even higher peak of success in the coming future.

Company Profile

Home Resource was established in 1988. Since then, the company has developed into one of the most professional lighting manufactures in Taiwan and Mainland China.



David Chen

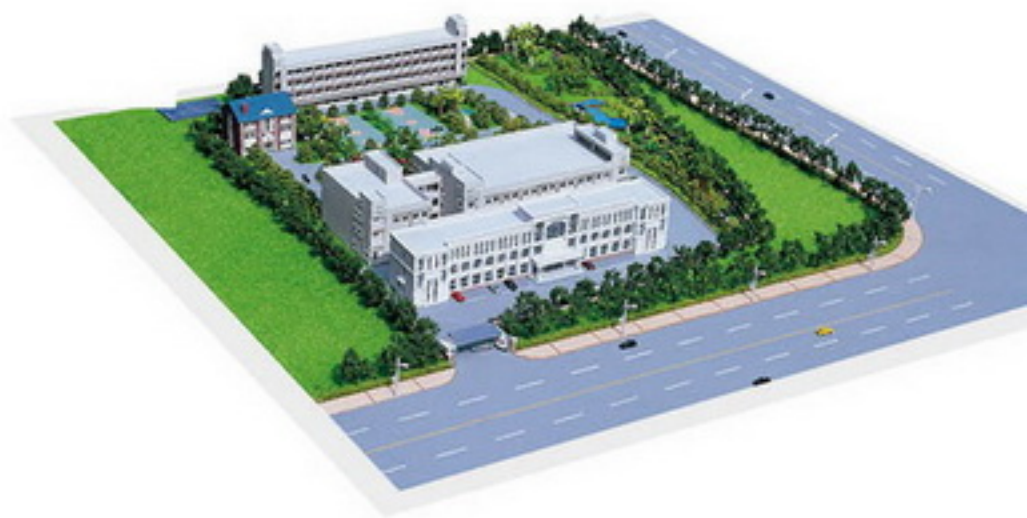
General Manager

Home Resource/Green Resource would like to express our sincere thanks to all customers, parts sub-contractors and every one of our employees. It is their continuing support and hard work that has allowed Home Resource/Green Resource to grow as rapidly as they have been able to. HR&GR will continue to make even greater efforts in the future.

Other than a self-support manufacturer, through a presence in Ningbo and Zhongshan and 50 employees, Home Resource also operates a sourcing network of two offices in China.

We strive to attain a position of long-term, sustainable pre-eminence in the lighting field "lighting up" both our customers and ourselves.

We look forward to working with you all continuously to create a brilliant future.



**China Factory - 26,000m²
(Zhongshan City, Guangdong Province)**

Home Resource's products are designed and manufactured by its own factory(Green Resource) sited in Zhongshan, China.



HOME RESOURCE

has received the following awards:

Design Awards:



• Good Design Product of Taiwan



• Red Dot Award of Germany



L: Sam Chen
(President of Home Resource Co.)
R: Alfred Albrecht, TUVPS
(GS Testing & Certification)

• Awarded from TUVPS as one of the Top 5 golden clients in Asia (2003)



L: Sam Chen
(President of Home Resource Co.)
R: P.K. Chiang
(Minister of Economic Department Taiwan)

• Being as Chairman of Taiwan Lighting Association in 2004



L: Jack Chen, Former President of HR/GR
R: Representative of Senior Group

• Award from Senior Group
Towards Annual Charity Donation

1. Red Dot Design Award: product design 2008, Germany.
2. National Excellent Lighting Quality Award in Japan 1998 and 2011. In 1995, HR being the 1st Taiwanese company in receipt of NEMKO, SEMKO, DEMKO, FI Certificates.
3. Excellent Quality Award, Spain 1996.
4. Awarded as one of the best "ISO 9001:2000" companies listed as members of KEMA organization in 1999, 2004 & 2010.
5. National Quality Award in Taiwan in 2002, 2003, 2004, 2005, 2006 & 2014.
6. The Most Popular Product Award in 2009 from Taiwan External Trade Development Council.
7. Good Design Product, Taiwan, since 2008.
8. The Best Innovation Award of Taiwan Lighting Association 1993, 1994, 2002, 2005, 2008, 2012 & 2015.

➤ **Safety Approval:**
CE, GS, CUL, ETL



GS Certificate

CUL, ETL Certificate



CE Certificate

➤ **More than 60 patents...**



Novelty



•BO-LED121
Page08



•KLED-61
Page09



•SPK-B016
Page10



•KLED-83
Page11



•BO-LED026
Page12



•ETLED-32
Page13



•ETLED-32A
Page13



•ETLED-50B
Page14



•ETLED-50BP1
Page14

LED Plant Grow Light



•PNLED-137
Page15



•PNLED-140
Page15



•PNLED-150A
Page16



•PNLED-150HG
Page16



•PNLED-150WLK
Page16



•PNLED-142
Page17



•PNLED-142HG
Page17



•PNLED-142WLK
Page17

Mirror Light



•MRLED-95A
Page18

LED Flood Light



• FLED-735
Page19



• FLED-735S
Page19



• ALED-573
Page20-21



• ALED-574
Page20-21

Garden Spot Light



• GLED-824SP-S2
Page22



• GLED-825SP-S2
Page22



• GLED-826SP-S2
Page22



• GLED-828SP-S2
Page23



• GLED-862SP-S2
Page23



• GLED-863SP-S2
Page23

Exterior Wall Light/Path Light



• ELED-138
Page24



• ELED-138S
Page24



• GPLED-138
Page24



• ELED-139
Page25



• ELED-139S
Page25



• GPLED-139
Page25

Wake Up Light-DAWN

Sunrise Simulation

- Material: ABS Body + PC Diffuser + Silicone Button
- Lamp: 1.2W(8pcs x 0.2W SMD5050 RGB LED + 8pcs x 0.2W SMD2835 White 3000K LED)
- Power: DC 5V, 500mA
- Battery: 3 x AAA (Excl.) for Time/Alarm
- Battery Working Time: About 3 months (Standby Mode)
- Color: White + Black
- Gradually Brightens over 30mins
- With 1.2M USB Cable for Light



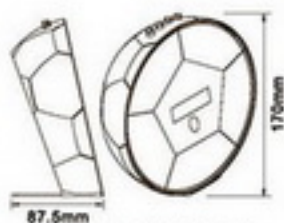
Patented



Baseball



Golf



BO-LED121

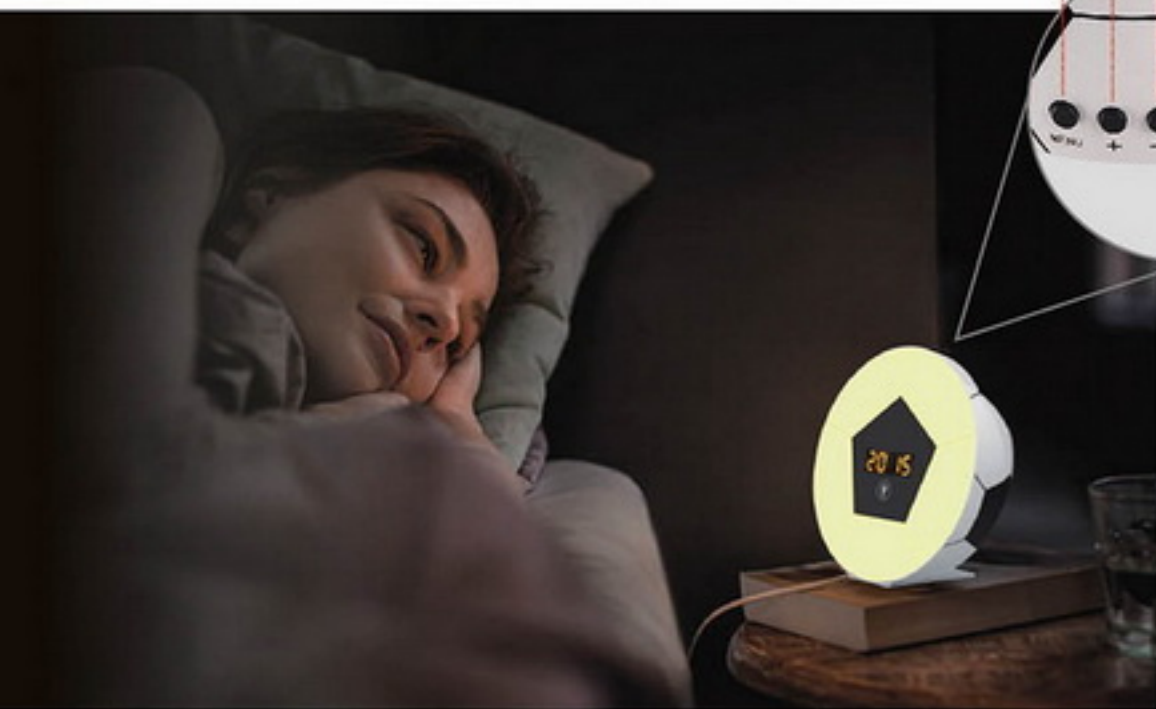


3-Way Touch Switch for Light:
White-RGB-Off



Functions

- ① MENU
 - Set Time
 - Set Alarm Sound
 - Set Alarm Time
 - Set Alarm Volume (15 levels)
 - Set Alarm On/Off
- ② UP
- ③ DOWN
- ④ SELECT
 - Fix Time
 - Fix Alarm Sound
 - Fix Alarm Time
 - Fix Alarm Volume
 - Alarm On/Off
- ⑤ Touch On/Off for Time Display (15 secs Time Delay)



LED Mood Light-NEON

Patented



- Material: ABS Body + PC Diffuser
- Lamp: 1W(10pcs x 0.1W SMD5050 RGB LED + 10pcs x 0.1W SMD2835 White 3000K LED)
- Power: 3.2V, 6mA
- Battery: 3 x AAA(Excl.)
- Battery Working Time: > 24H
- 3-Way Touch Switch for Light: White-RGB-Off
- Color: White + Black
- RGB Lights



Sports Bar



Rights itself when pushed over

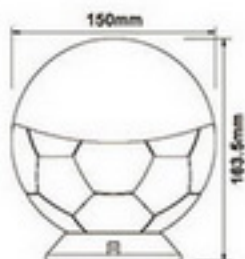


Baseball



Golf

Choose
Your
Own
Pattern



● KLED-61



Child room

Sport Mood Light-Laughter

mood light, night light

- Material: ABS Body + PC Diffuser
- Lamp: 2.5W (12pcs x 0.2W SMD5050 RGB LED + 12pcs x 0.2W SMD2835 White 4000K LED)
- Power: 3.2V, 6mA
- Battery: 3 x AA (Excl.)
- Battery Working Time: >36H
- Color: White + Black



Patented



Baseball



American Football



Touch Switch



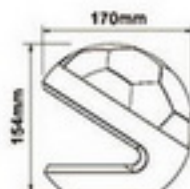
Helmet



Golf



Choose Your Own Pattern



SPK-B016



3-in-1 LED Party Light/Camping Light/Flashlight

Multi-Function Light

SINCE 1988
30th
ANNIVERSARY



● KLED-83 (Fairy)

Material: ABS + PMMA
 Lamp: 3.6W (1pc x 2W XPE-R3 LED (6000K) for White Light
 + 8pcs x 0.2W RGB SMD5050 LED for Mood Light)
 Power: DC 5V, 500mA (2.5W)
 Lumen: > 60LM (6000K White Light)
 4-way Tact Switch: White Light - Mood Light - White Light+Mood Light - Off
 With 1.2M USB Cable
 With 1pc Built-in 3.7V 1600mAh 18650 Lithium Rechargeable Battery
 Operation Time: 2H (Fully Charge: 6H)
 Color: White+Rose Gold / Black+Chrome / Luxury Gold+Chrome
 IP44



4-way Tact Switch



Hook



Flashlight





HOW TO MAKE BABY SLEEP TIGHT?

SOUNDS YOU LIKE!

The best way to help your baby back to sleep with your own choice of music or song you sing. Auto-Activate When Crying!

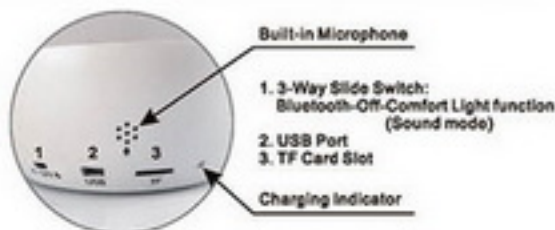


Select 1 Mode for baby comfort

- Mode ① Play Voice or Music Recorded by Button 5 (Max. 10mins + RGB Light)
- Mode ② Music Off, RGB Light Only, 20mins
- Mode ③ Play TF Card Saved Music (Max. 20mins + RGB Light)

Set Up

- ④ Volume Up
- ⑤ Record Music or Voice, Record by the Built-in Microphone
- ⑥ Volume Down



● BO-LED026

Color: White
 Material: ABS Body + Diffuser + Silicone Button
 Lamp: 8pcs x 0.2W SMD5050 RGB LED
 Power Consumption: 1.5W
 With Built-in 3.7V 2000MAH 18650 LI Rechargeable battery
 Battery Charging Time: 8H, 500 Cycles
 Battery Working 3H (For Music + Light)
 With 1 pc 1G TF card (can play music and record voice)
 With 3W Bluetooth Speaker
 With 1.2m USB Cable
 Transformer as option

LED Mood Light-Torch

Realistic flames

- Material: ABS Body + PMMA Diffuser
- Touch On/Off Switch on Base
- Battery: 3 x AAA(Excl.)
- Color: Black / White

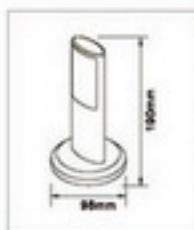


Patented



ETLED-32 (1-Side)

Lamp: 0.25W
(37pcs x 0.06W SMD0603 LED)
Operation Time:
36H(Alkaline Batteries)



ETLED-32A (2-Side)

Lamp: 2 x 0.25W
(2 x 37pcs x 0.06W SMD0603 LED)
Operation Time:
24H(Alkaline Batteries)



White



Black



YouTube

Realistic Flames



Rechargeable LED Tulip Lamp

SINCE 1988
30th
ANNIVERSARY



Patented



Satin Nickel Chrome



Black

ETLED-50B

Deluxe Tulip

Material: Steel Top & Base + Alu. Body + PMMA Diffuser

Lamp: 2.1W(15 x 0.14W SMD5050 LED)

Power Consumption: 2.8W

Luminous Flux (6000K): Low (20%) - 16LM / Medium (50%) - 56LM / High (100%) - 120LM

4-Way Touch Switch: Low (20%) - Medium (50%) - High (100%) - Off

Operation Time: 3H (100%) / 8H (50%) / 25H (20%)

With 1pc Built-in 3.7V 2000mAh 18650 Lithium Rechargeable battery (Fully Charge 8H ; 500 circles)

Power On by USB directly after battery finishing up its life

Finish: Satin Nickel/Chrome/Black



ETLED-50BPT1

Material: ABS Top/Body/Base + PMMA Diffuser

Lamp: 1.44W(12 x 0.12W SMD3528 LED 3000K+6000K)

Power Consumption: 2.8W

Lumen: 3000K - 48LM / 6000K - 56LM / 3000K+6000K - 102LM

4-Way Touch Switch: 3000K - 6000K - 3000K+6000K - Off

(Stepless Dimming for Each Way by Pressing The Switch Long)

Operation Time: 30H (3000K) / 30H (6000K) / 3H (3000K+6000K)

With 1pc Built-in 3.7V 1200mAh 18650 Lithium Rechargeable battery (Fully Charge 8H ; 500 circles)

Power On by USB directly after battery finishing up its life

Color: Painting Black/White/Blue/Green/Pink/Orange



Painting Black



White



Blue



Green



Pink



Orange

ETLED-50BP

Bloomy Tulip

Material: ABS Top/Body/Base + PMMA Diffuser

Lamp: 2.1W(15 x 0.14W SMD5050 LED)

Power Consumption: 2.8W

Luminous Flux (6000K): Low (20%) - 16LM / Medium (50%) - 56LM / High (100%) - 120LM

4-Way Touch Switch: Low (20%) - Medium (50%) - High (100%) - Off

Operation Time: 3H (100%) / 8H (50%) / 25H (20%)

With 1pc Built-in 3.7V 2000mAh 18650 Lithium Rechargeable battery (Fully Charge 8H ; 500 circles)

Power On by USB directly after battery finishing up its life

Color: Painting Black/White/Blue/Green/Pink/Orange

LED Grow Light for Plant

SINCE 1988
30th
ANNIVERSARY

- Material: ABS Body + Plastic Plate
- Lamp: 2.5W (Red LED + Blue LED + SMD 2835 White 4000K LED)
- 2 Switches on Base
Switch for PLANT: Red Light and Blue Light
(If the light is not turned off, it will automatically shut down after 12H)
- Switch for LAMP: White Light
- With 1.2M USB Cable
- Color: White / Black
- IP20



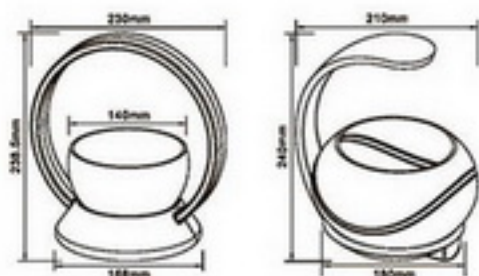
Patented



● PNLED-140 (Halo)



● PNLED-137 (Swan)



Tall: With the essential Red+Blue spectrums, stems will grow taller, and leaves will grow stronger by using it 8 hours a day.

Healthy: Whatever the weather, plants always receive the lights consistently which makes them grow healthier.

Beautiful: Switching to general lighting mode, it makes plants prettier and makes surrounding more harmonious.



LED Grow Light for Plant-Cage (Table, Hanging, Wall Light)

SINCE 1988
30th
ANNIVERSARY

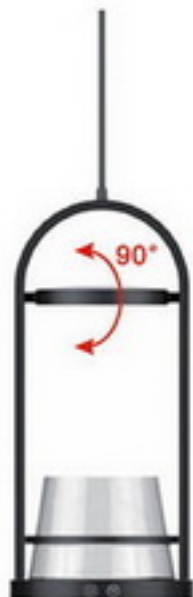
- Material: Steel Body + Alu. Lampholder + ABS Base + Plastic Plate
- Lamp: 5W (Red LED + Blue LED + SMD 2835 White 4000K LED)
- 2 Switches on Base
 - Switch for PLANT: Red Light and Blue Light
(If the light is not turned off, it will automatically shut down after 12H)
 - Switch for LAMP: White Light
- With 1.2M USB Cable (Table Light), 2M Cable (Pendant), 2.6M USB Cable (Tripod)
- Wall Light and Pendant with Built-in Driver
- Finish: White / Black
- IP20



Patented



● PNLED-150WLK



● PNLED-150HG



● TRIPOD-PNLED



● PNLED-150A



Tall: With the essential Red+Blue spectrums, stems will grow taller, and leaves will grow stronger by using it 8 hours a day.
Healthy: Whatever the weather, plants always receive the lights consistently which makes them grow healthier.
Beautiful: Switching to general lighting mode, it makes plants prettier and makes surrounding more harmonious.

LED Grow Light for Plant-**Alfa**

(Table, Hanging, Wall Light)

SINCE 1988
30th
ANNIVERSARY

- Material: Steel Body + ABS Base + Plastic Plate
- Lamp: 5W (Red LED + Blue LED + SMD 2835 White 4000K LED)
- 2 Switches on Base
Switch for PLANT: Red Light and Blue Light
(If the light is not turned off, it will automatically shut down after 12H)
Switch for LAMP: White Light
- With 1.2M USB Cable (Table Light), 2M Cable (Pendant),
2.6M USB Cable (Tripod)
- Wall Light and Pendant with Built-in Driver
- Finish: White / Black
- IP20



Patented



● PNLED-142HG



● PNLED-142WLK



● PNLED-142

Tall: With the essential Red+Blue spectrums, stems will grow taller, and leaves will grow stronger by using it 8 hours a day.

Healthy: Whatever the weather, plants always receive the lights consistently which makes them grow healthier.

Beautiful: Switching to general lighting mode, it makes plants prettier and makes surrounding more harmonious.



● TRIPOD-PNLED



Mirror Light-Florian

- Material: ABS + PMMA + Steel + Glass
- Lamp: 2.5W (21pcs x 0.06W SMD2835 LED 6000K for Make-Up Light +20pcs x 0.1W SMD2835 LED 4000K for Night Light)
- Battery: 3 x AAA, 1.5V (Excl.)
- Battery Working Time: >24H
- Power: 3.2V, 6mA
- Lumen: >120LM (for 4000K Night Light)
- 3-Way Touch Switch: Make Up Light - Night Light - Off
- Size: D150 x H192mm
- Color: Light Pink / Macaron Light Blue



●MRLED-95A

SINCE 1988
30th
ANNIVERSARY

Patented

Traveling



Night Light



Light Pink



Macaron Light Blue



Large Capacity

Easy Traveling



LED Flood Light-Deluxe

AC Type

- Material: Aluminum + Glass
- Voltage: AC220-240V
- Color Temperature: 3000-6500K
- Color: White/Black

CE EMC  RoHS
eurofins

SINCE 1988
30th
ANNIVERSARY

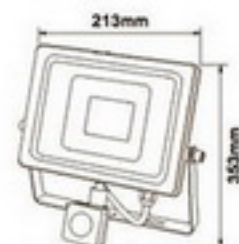


● FLED-735-20



Junction Box

●	Lamp	Lumen	IP	Product size
FLED-735-10	10W(14pcs x 1W SMD2835 LED)	800±5% LM	IP65	L.13.8 x W.8.8 x H.29.4cm
FLED-735-20	20W(28pcs x 1W SMD2835 LED)	1600±5% LM	IP65	L.17.5 x W.11.4 x H.33.2cm
FLED-735-30	30W(70pcs x 0.5W SMD2835 LED)	2400±5% LM	IP65	L.21.3 x W.14.2 x H.35.3cm
FLED-735-50	50W(70pcs x 1W SMD2835 LED)	4000±5% LM	IP65	L.24.1 x W.16.3 x H.37.3cm



● FLED-735S-30

●	Lamp	Lumen	IP	Product size
FLED-735S-10	10W(14pcs x 1W SMD2835 LED)	800±5% LM	IP44	L.13.8 x W.14.9 x H.29.4cm
FLED-735S-20	20W(28pcs x 1W SMD2835 LED)	1600±5% LM	IP44	L.17.5 x W.17.5 x H.33.2cm
FLED-735S-30	30W(70pcs x 0.5W SMD2835 LED)	2400±5% LM	IP44	L.21.3 x W.20.3 x H.35.3cm
FLED-735S-50	50W(70pcs x 1W SMD2835 LED)	4000±5% LM	IP44	L.24.1 x W.22.4 x H.37.3cm

Sensor: 8M, 120°, 8 Secs ~ 10 Mins

ErP  CE
EMC  RoHS



● ALED-573



● ALED-574

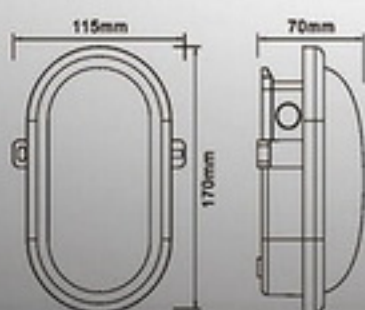
**Such Big
Promotion !!!**

LED Bulkhead

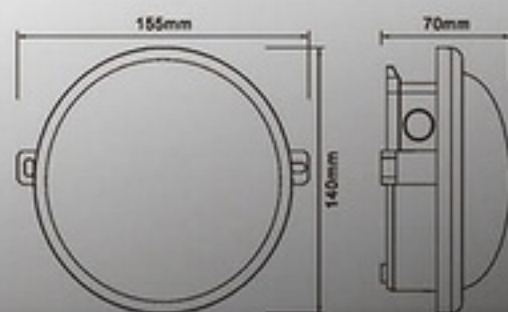
- Material: ABS Body and PC Diffuser
- Lamp: 5W (18pcs SMD2835 LED)
- Voltage: AC180V~260V, 50Hz
- Lumens: 400LM (4000K)
- Color temperature: 2700K/4000K/6500K
- Color: Gray/Black/White
- IP65/44



LED Bulkhead



● ALED-573



● ALED-574

LED Garden Spot Light

SINCE 1988
30th
ANNIVERSARY

Patented

- Set of 2
- Material: Aluminum + Glass
- Per head with 1x3W high power LED
- Lumen: 2 x 120LM (3000K)
- Each with 1M SPT-2W (18awg) / H05RN-F 2x0.75mm² cable
- Each set with 4M SPT-2W (18awg) / H05RN-F 2x0.75mm² cable
- With Outdoor Driver
- Finish: Black / White / Silver
- IP44



● GLED-824SP-S2 (Bird)



● GLED-825SP-S2 (Flower)



● GLED-826SP-S2 (Ball)



LED Garden Spot Light

SINCE 1989
30th
ANNIVERSARY

Patented

- Set of 2
- Lumen: 2 x 125LM (4000K)
- Each fitting with 1M SPT-2W (18awg) / H05RN-F 2 x 0.75mm² cable
- Each set with 4M SPT-2W (18awg) / H05RN-F 2 x 0.75mm² extension cable
- With Outdoor Driver
- IP44



- **GLED-320SP-S2 (Juno)**
Material: Die Cast Aluminum + Glass
Per head with 3W High Power LED
Finish: Black/White/Silver



- **GLED-862SP-S2 (Vesta)**
Material: Zinc Alloy + Aluminum + Glass
Per head with 1 x 3W high power LED
Finish: Black/White



- **GLED-863SP-S2 (Nox)**
Material: Zinc Alloy + Aluminum + Glass
Per head with 1 x 3W high power LED
Finish: Black/White



LED Wall/Path Light-Mars

SINCE 1988
30th
ANNIVERSARY

AC Type

- Material: Aluminum Body + PC Diffuser
- Voltage: 220V~240V
- Lamp: 9W(36pcs x SMD2835 LED)
- Lumen: 600LM (4000K)
- Sensor: Max 6M; 120°; 45secs
- Finish: Black / White
- IP44

Patented



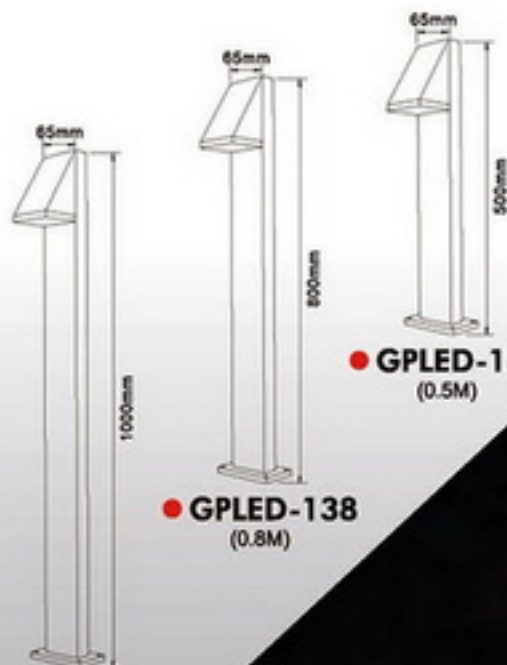
Adjustable Head



● ELED-138S



● ELED-138



● GPLED-138
(0.5M)

● GPLED-138
(0.8M)

● GPLED-138
(1M)



LED Wall/Path Light-Apollo

SINCE 1988
30th
ANNIVERSARY

AC Type

- Material: Aluminum Body + PC Diffuser
- Voltage: 220V~240V
- Lamp: 4.5W (14pcs x SMD2835 LED) for Spot Light
+ 4.5W (12pcs x SMD2835 LED) for Decorative Light
- Lumen: 600LM (4000K)
- Sensor: Max 6M; 120°; 45secs
- Finish: Black / White
- IP44

Patented



➤ **In-House Lab in our ZhongShan Factory**



Integrator Machine Set



Integrator Machine Set



Integrator Machine Set (To test Color Temperature, Luminous Flux, Ra ...)



Salt Spary Test Machine (To test Anti-corrosion status of metal material)



LCR Test Machine (To test Electrical resistance, Capacitance, Inductance)



Switching Power (To Adjust Voltage and Frequency when conducting aging test)



Instrument for Color Temperature Contrast



Lampholder Torsion Test Machine (Torsion test after the lampholder is assembled)



LED Aging Test Machine (Mainly use to test High Power LED)



LED Luminous Intensity Meter (To test the bright of LED)



IP Tester



Temperature Meter

Supply Partner

We are not only playing the role as a manufacturer but also can implement as a supply partner on your behalf which covers following functions:

- Quality control is quality assurance & conduct inspection.
- Shipping control is consolidation of goods & shipment arrangement.
- Payment release
- Buying trip arrangement

We involve a comprehensive product range covering home lighting, commercial lighting, outdoor lightings, bulbs and tube lights.

If you are in consideration of having some one to act as your supply partner for above function , please do not hesitate to contact Home Resource for further discussion.



■ Service team



■ Inspection & Testing



■ Shipping & Financial



Home Resource Ind. Co., Ltd.

The 22nd Home Resource Prize Golf Invitation Tournament

To be held at Agile Golf & Country Club, ZhongShan, China

Expect your Participation



■ Home Resource Golf Team

Welcome Your Participation for a Friendly Golf Competition



Please contact us: hr@homeresource.com.tw



SINCE 1988
30th
ANNIVERSARY

Manufacturer • Buying Agent • Inspection Agent



Home Resource Ind. Co., Ltd.

4F, No. 69-5, Sec. 2, Chung Cheng East Rd., Tanshui District 25170, New Taipei City, Taiwan

Tel : 886-2-2809-1212 (Rep. 12Lines) Fax : 886-2-2808-1565

E-mail : hr@homeresource.com.tw www.homeresource.com.tw

Factory : Green Resource Illumination Co., Ltd. (ZhongShan)

No. 8, Yanjiang W. 1st Rd., Keji Ave., Torch Development Zone, Zhongshan City, Guangdong, China

